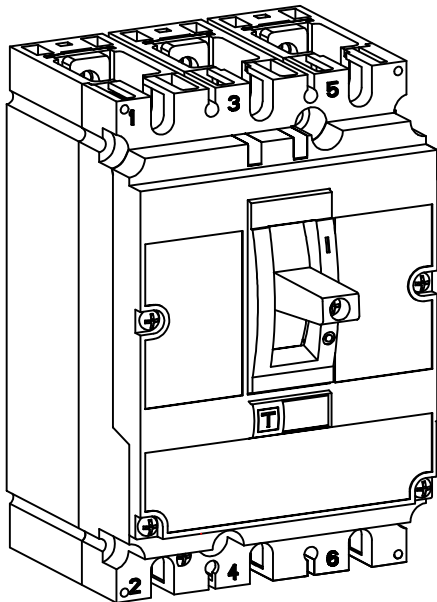
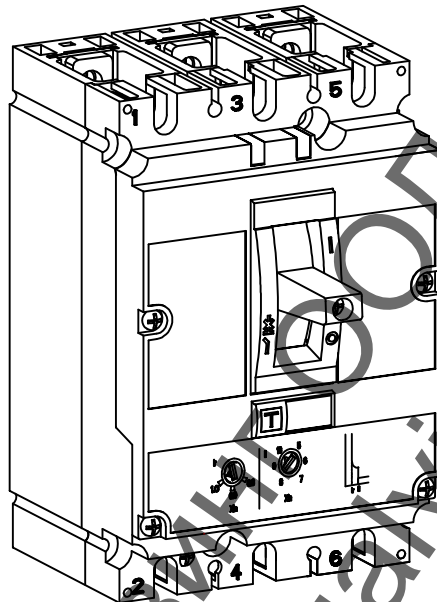


MZ-Series moulded case circuit breakers

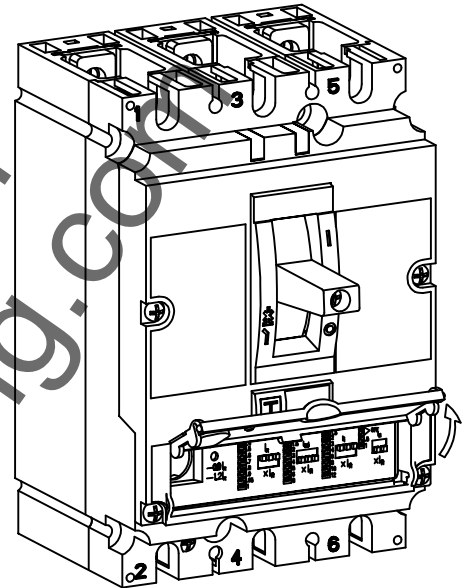
The manufacturer assumes no responsibility for damages resulting from the non-application or incorrect application of the instruction provided herein.



-N Types



-A Types



-VE Types

MZ...-N... Load break-switches

No release unit built in, no currents can be adjusted

MZ1...-A...

Tripping current I_r can be adjusted, I_i is fixed at $10 \times I_n$

MZ2...-A... and MZ3...-A...

Tripping currents I_r and I_i can be adjusted

MZ3...-VE...

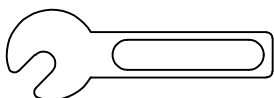
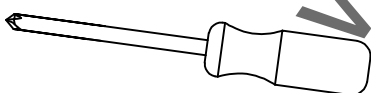
Tripping currents I_r , I_{sd} and I_i , tripping times t_r and t_{sd} can be adjusted.

Tools:

Phillips screwdriver

Hex wrench

Hex key



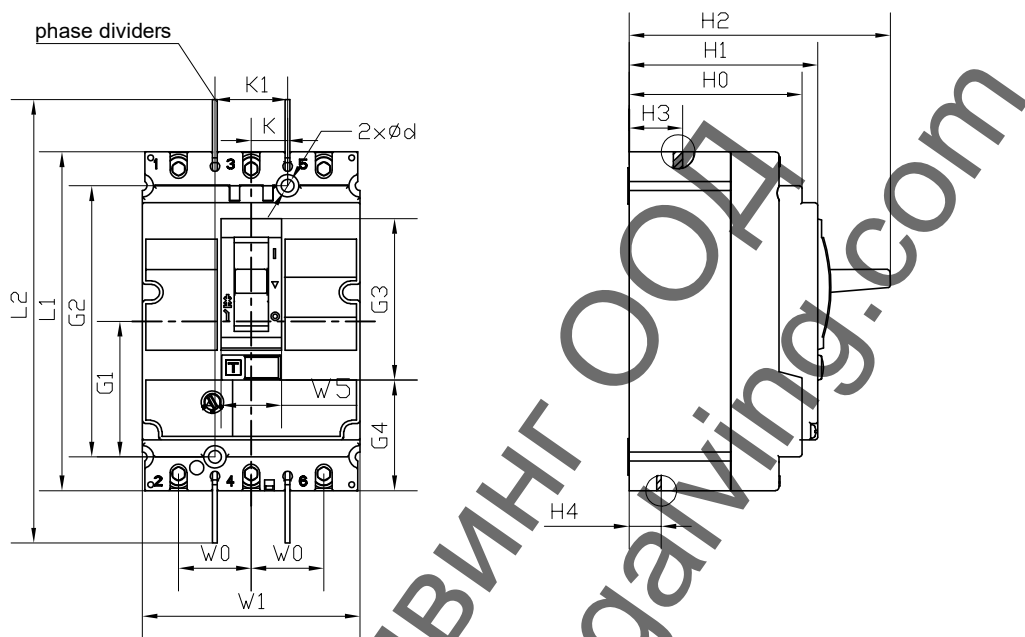
		Fixing	Terminals
Type	Poles		
	MZ1	3P	2(M5x65) / 6(M6x16)
MZ2	3P	2(M5x75)	6(M8x20)
MZ3	3P	4(M5x90)	6(M10x30)

SCHRACK TECHNIK GMBH

Seybelgasse 13, A - 1230 Wien, TELEFON +43 1/866 85-0

E-MAIL info@schrack.com, INTERNET www.schrack.at

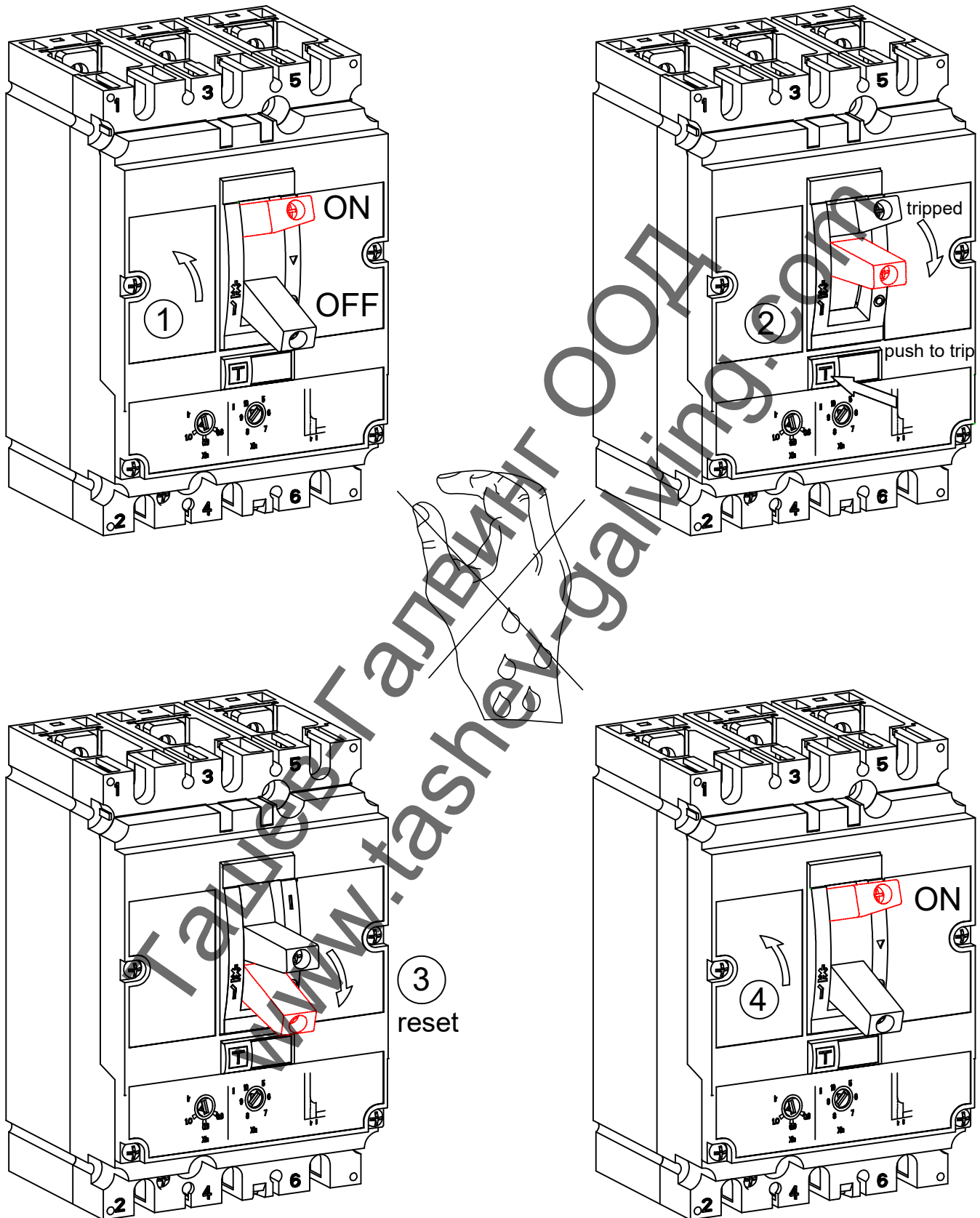
Dimensions of circuit breakers MZ



Dimensions [mm]	L1	L2	H0	H1	H2	H3	H4	K	K1	G1	G2	G3	G4	W0	W1	W5	d
MZ1	140	243	72	79	108	18,5	17,5	15	30	56	112	66,5	46	30	90	24,5	5,5
MZ2	167	373	82	88	126	22	20	17,5	35	62,5	125	75,5	47,5	35	105	26,5	5,5
MZ3	255	482	109	113	168	26	24	22,5	45	100	200	114	87	45	140	51,5	6,5

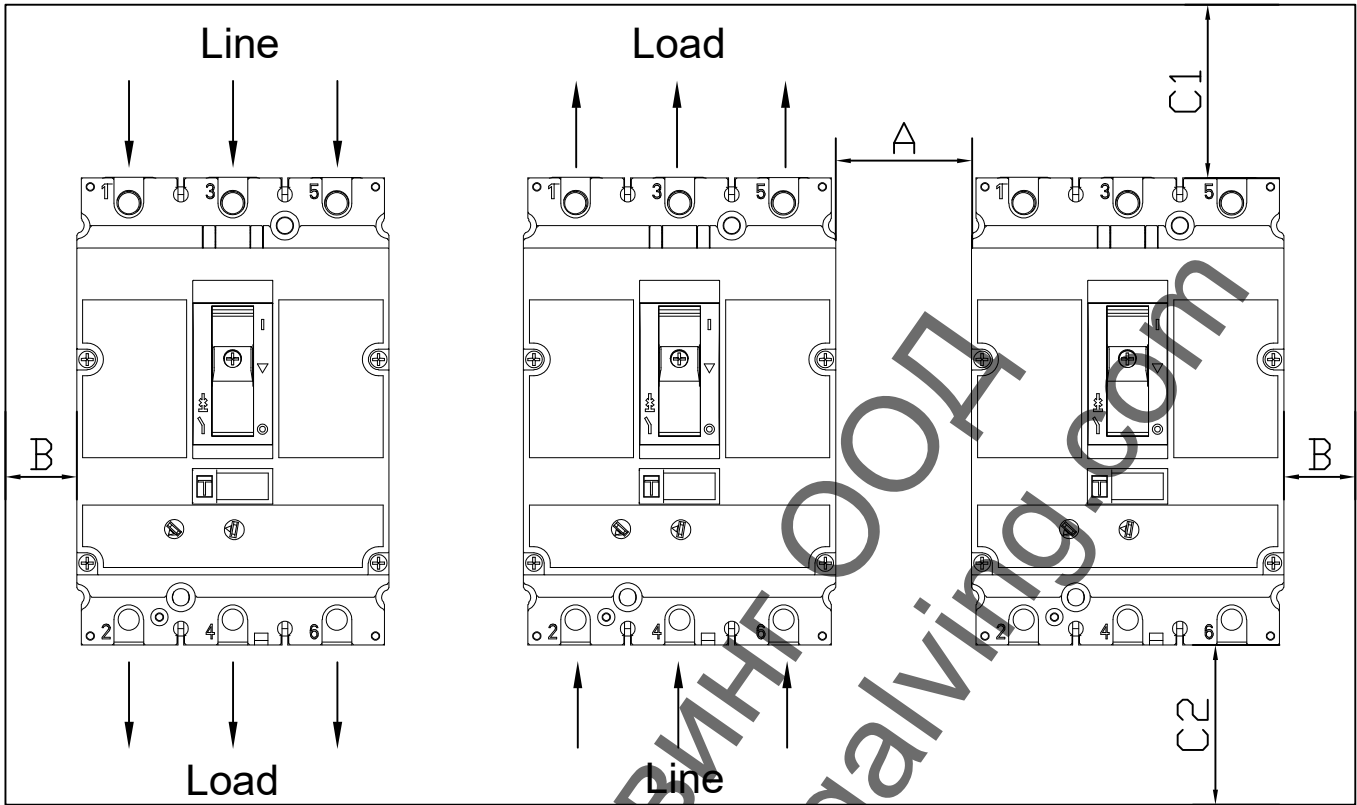
Operation of circuit breaker

Danger: Do not operate circuit breaker with wet hands



Connection and safe distances

Both Line-Load feed directions are allowed

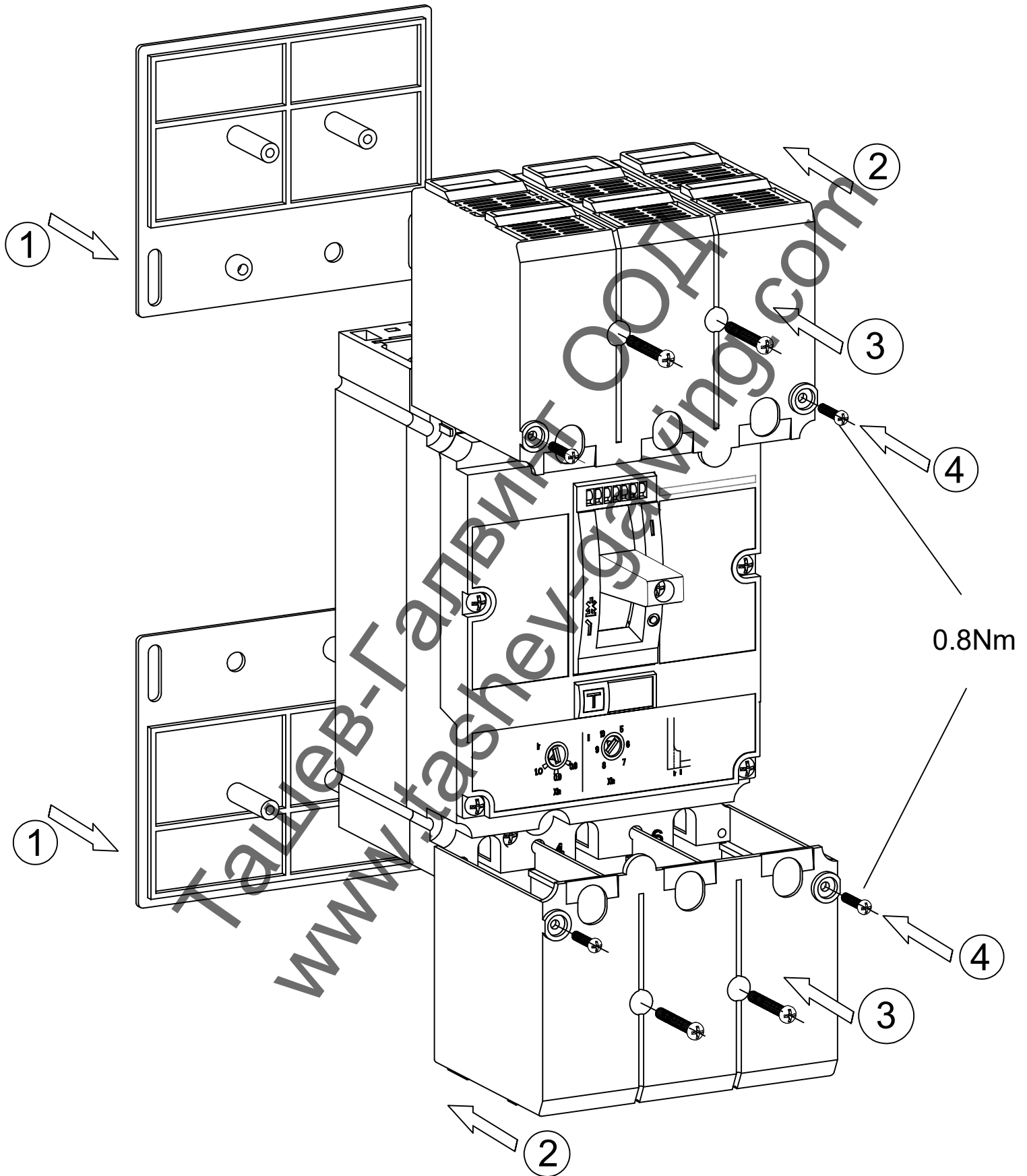


Circuit Breaker	Ue(V)	A	B	Distance to Insulated Parts		Distance to Metal Parts	
				C1	C2	C1	C2
MZ1	≤440	10	30	30	30	35	35
	<600			30	30	35	35
	≥600			30	30	35	35
MZ2	≤440	10	30	30	30	35	35
	<600			30	30	35	35
	≥600			30	30	35	35
MZ3	≤440	10	30	30	30	60	60
	<600			30	30	60	60
	≥600			30	30	100	100

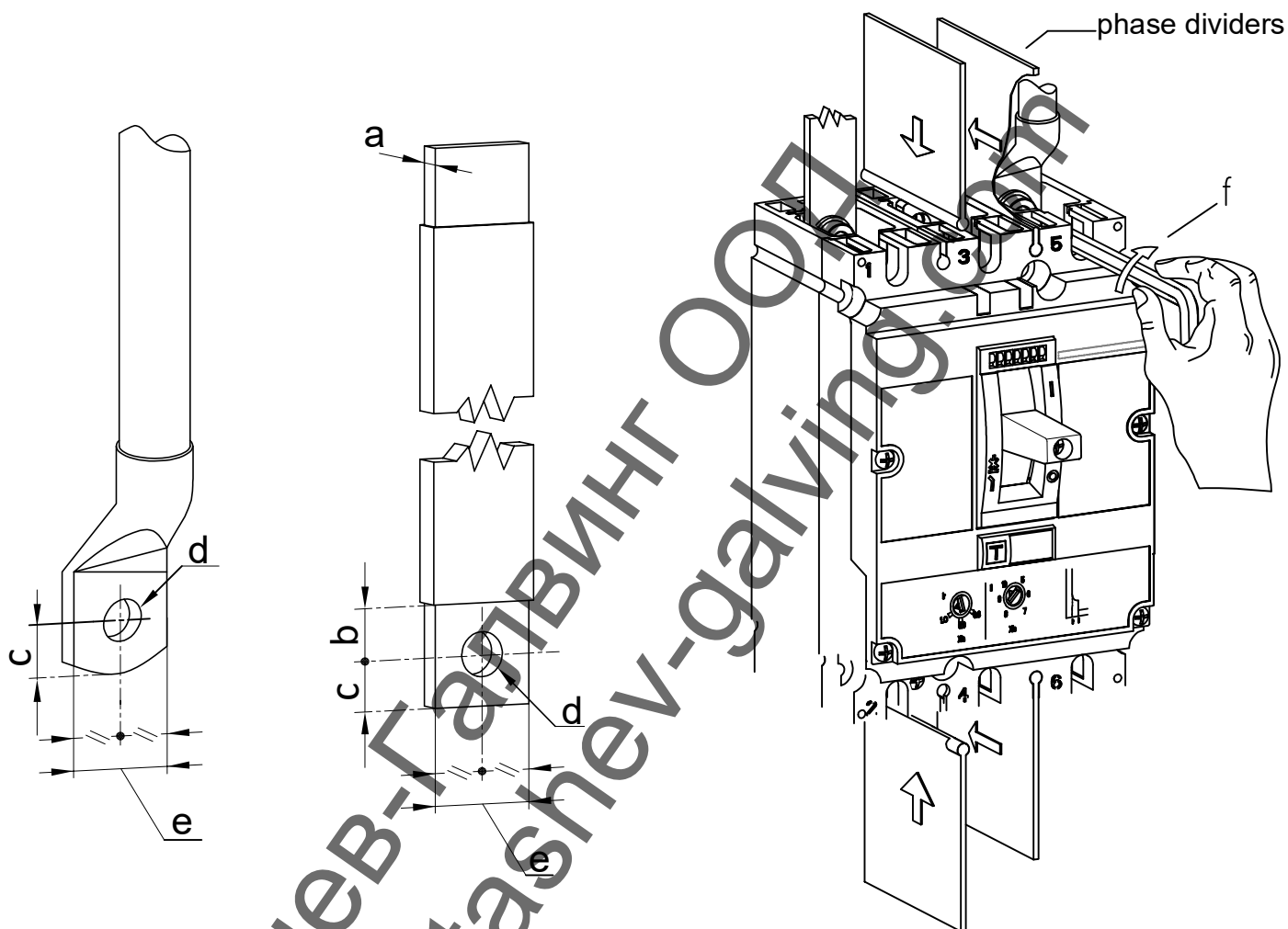
Note: When voltage Ue is >500V long terminal cover has to be mounted

Long terminal cover

MZ.ZCL03



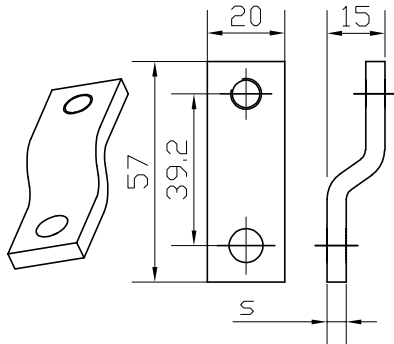
Busbar and Cable-lug connection



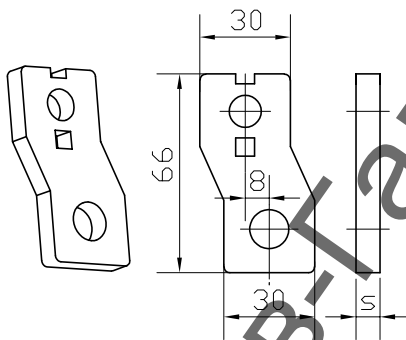
	a (mm)	b (mm)	c (mm)	d (mm)	e (mm)	f (Nm)
MZ2	5	(10...12)	<8,5	Ø8,5	25	20
MZ3	8	(10...15)	<15	Ø10,5	32	40

Front connection plates

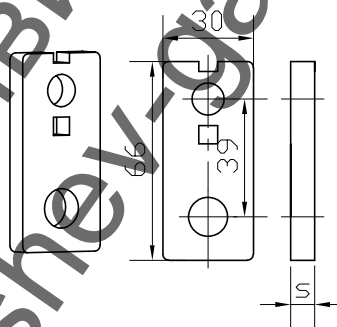
MZ2ZFC03
type S



MZ3ZFC03
type Z



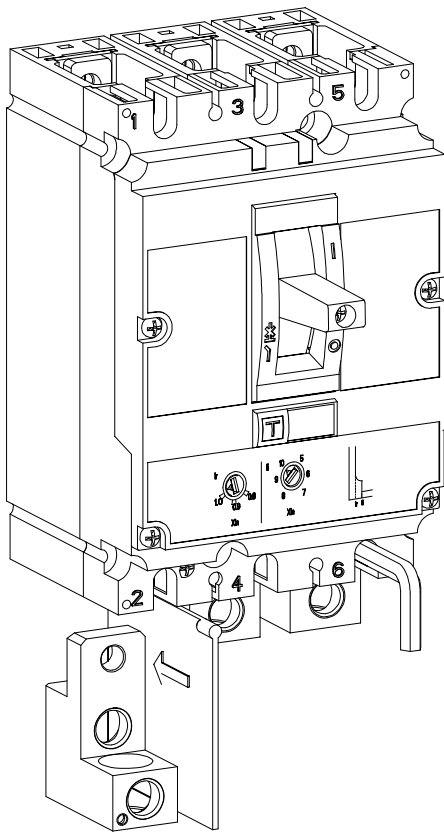
type S



	Pole	L1	L2	L3
MZ2	3P	S	S	S
MZ3	3P	Z	S	Z

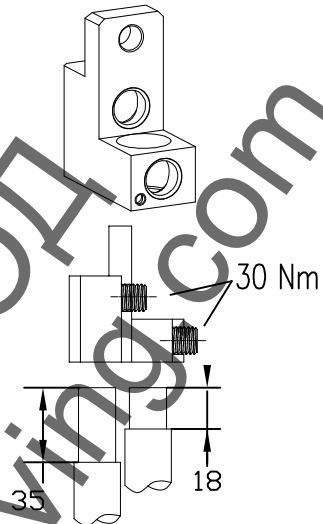
	MZ2	MZ3
s [mm]	5	8

Connection of bare cables



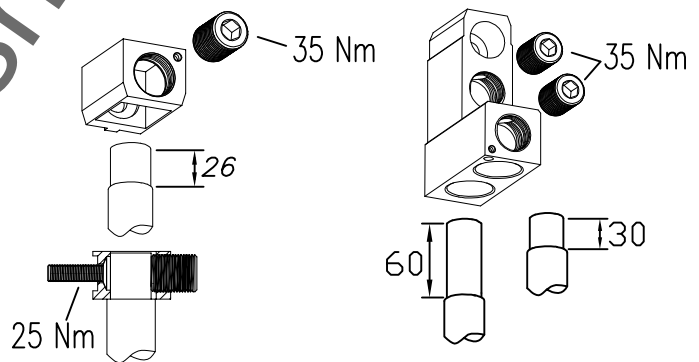
Tunnel terminals

MZ2ZTT03
2x 35...120 mm²



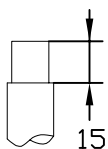
MZ3ZTT03
built in
120...240 mm²

MZ3ZTT03M2
2x 120...240 mm²

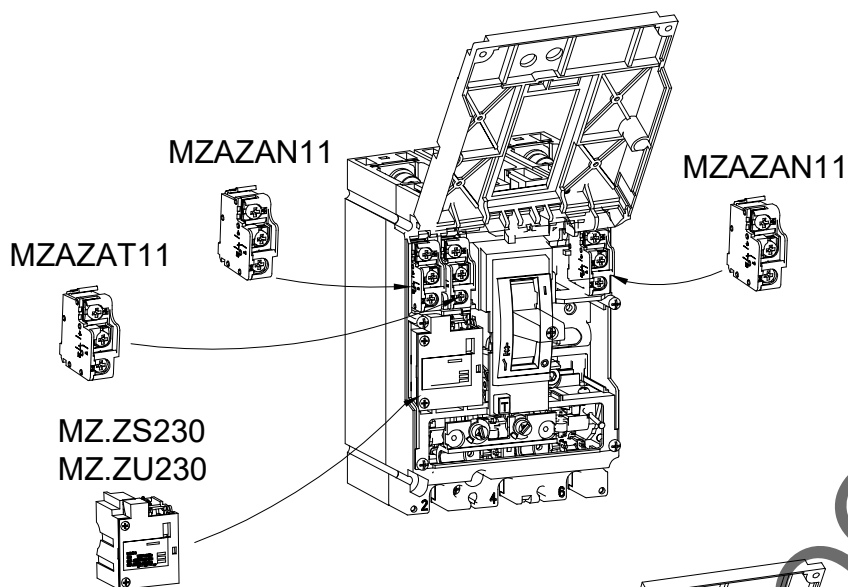


Box terminals built in at all MZ1

MZ1ZBT03
built in
4...95 mm²



Internal Accessories & Installation

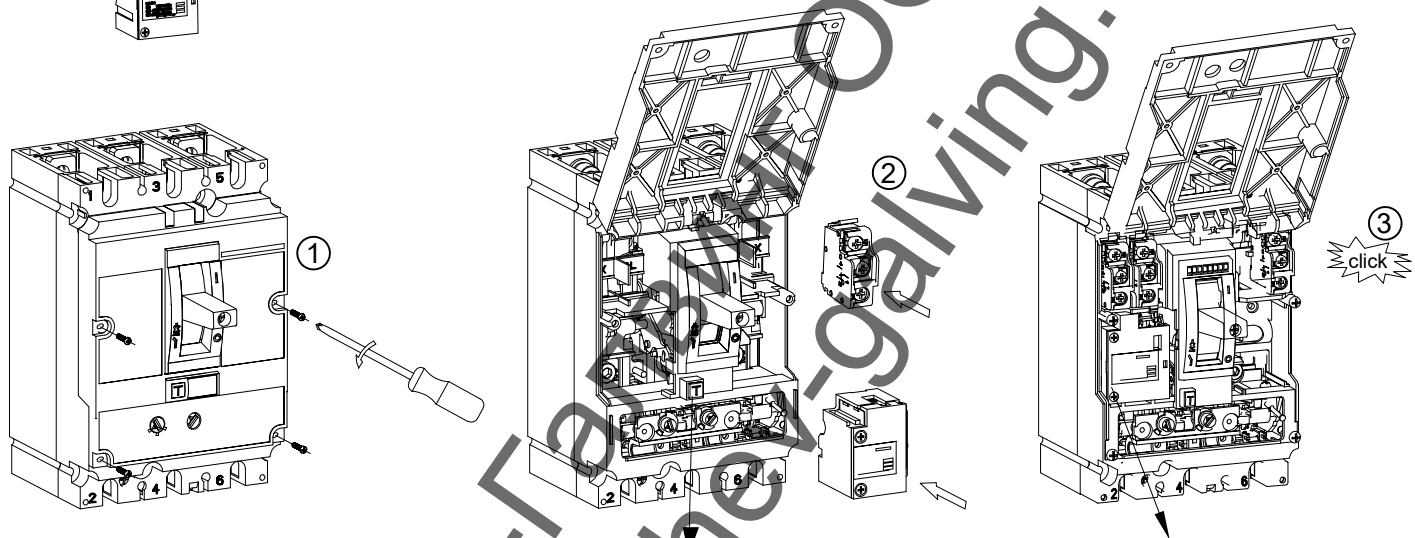


AN11 Auxiliary Contact "normal"

AT11 Auxiliary Contact "tripped"

S230 Shunt Release

U230 Undervoltage Release



Press Test button before installing S or U release

Make sure that surface of release is flush with cover

